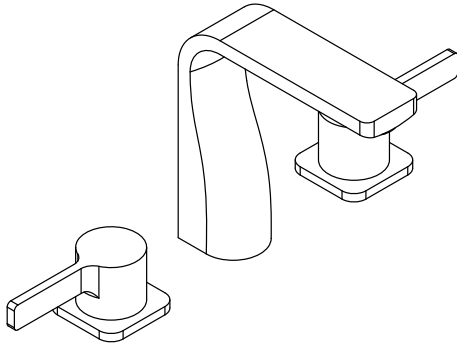


**260.2001 | 8" Widespread 3-Hole Faucet**



**SPECIFICATIONS:**

- Solid Brass construction
- Three Hole Installation
- 1.2 GPM Flow Rate @ 60 PSI

**STANDARDS:**

- ASME A112.18.1 / CSA B125.1, NSF-61



Drain Included

LowFlow Capable



Legislation Compliance



Low Lead Compliant



ZeroDrip Technology



**Technical Diagram**

